

Hygienisk Butterfly Ventil

Clamp Ender

- ISO 1" 1.5" 2" 2.5" 3" 4"
- DIN 25, 32, 40, 50, 65, 80, 100, 125

Sveiseende

- ISO 1" 1.5" 2" 2.5" 3" 4"
- DIN 25, 32, 40, 50, 65, 80, 100, 125, 150, 200

Aktuator

- ISO 1" 1.5" 2" 2.5" 3" 4"
- DIN 25, 32, 40, 50, 65, 80, 100, 125, 150

Pakning (EDPM / FKM-VITON)

- ISO 1" 1.5" 2" 2.5" 3" 4"
- DIN 25, 32, 40, 50, 65, 80, 100, 125, 150



Det leveres Hygieniske butterfly ventiler tilpasset de normene som er angitt i tabellene under.

SMS rustfritt/syrefaste hygieniske rør

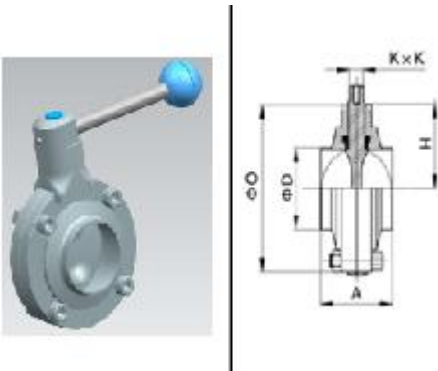
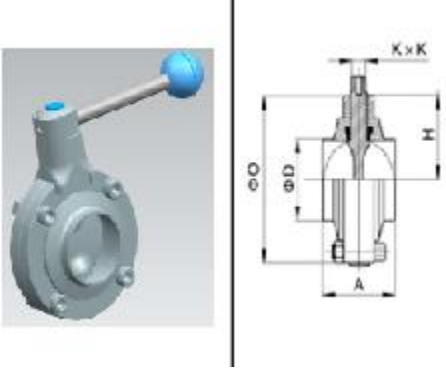
DIN 11866 rustfrie/syrefaste hygieniske rør

| Størrelse | Ytre diameter mm | Tykkelse mm |
|-----------|------------------|-------------|
| 1" | 25,0 | 1,20 |
| 1 1/4" | 32,0 | 1,20 |
| 1 1/2" | 38,0 | 1,20 |
| 2" | 51,0 | 1,20 |
| 2 1/2" | 63,5 | 1,60 |
| 3" | 76,1 | 1,60 |
| 4" | 101,6 | 2,00 |

| Størrelse | Ytre diameter mm | Tykkelse mm |
|-----------|------------------|-------------|
| DN25 | 29,0 | 1,50 |
| DN32 | 35,0 | 1,50 |
| DN40 | 41,0 | 1,50 |
| DN50 | 53,0 | 1,50 |
| DN65 | 70,0 | 2,00 |
| DN80 | 85,0 | 2,00 |
| DN100 | 104,0 | 2,00 |

DIN EN ISO1127 rustfrie/syrefaste hygieniske rør

| Størrelse | Ytre diameter mm | Tykkelse mm |
|-----------|------------------|-------------|
| 3/4" | 26,9 | 1,60 |
| | 33,7 | 2,00 |
| 1 1/4" | 42,4 | 2,00 |
| 1 1/2" | 48,3 | 2,00 |
| 2" | 60,3 | 2,00 |
| | 76,1 | 2,00 |
| 3" | 88,9 | 2,00 |
| 4" | 114,3 | 2,00 |

| Drawing DIN STANDARD | | Size | Diameter OD | kval | norm | Pris.nton |
|--|-------|----------------|----------------|-------------|-------------|-----------|
|  | DN10 | | AISI316/1:4404 | DIN | kr 442.00 | |
| | DN15 | | AISI316/1:4404 | DIN | kr 442.00 | |
| | DN20 | | AISI316/1:4404 | DIN | kr 442.00 | |
| | DN25 | 29MM | AISI316/1:4404 | DIN | kr 460.00 | |
| | DN32 | 35MM | AISI316/1:4404 | DIN | kr 420.00 | |
| | DN40 | 41MM | AISI316/1:4404 | DIN | kr 451.00 | |
| | DN50 | 53,5MM | AISI316/1:4404 | DIN | kr 595.00 | |
| | DN65 | 70MM | AISI316/1:4404 | DIN | kr 723.00 | |
| | DN80 | 85MM | AISI316/1:4404 | DIN | kr 841.00 | |
| | DN100 | 104MM | AISI316/1:4404 | DIN | kr 1,125.00 | |
| | DN125 | 104MM | AISI316/1:4404 | DIN | kr 1,588.00 | |
| | DN150 | | AISI316/1:4404 | DIN | kr 2,142.00 | |
| Drawing ISO-SMS-3A STANDARD | | Size | | SS316L | | PRIS |
|  | 1/2" | 21,3MM | AISI316/1:4404 | ISO | kr 417.00 | |
| | 3/4" | 26,9MM | AISI316/1:4404 | ISO | kr 417.00 | |
| | 21.3 | 21,3MM | AISI316/1:4404 | | kr 417.00 | |
| | 1" | 25MM | AISI316/1:4404 | SMS | kr 417.00 | |
| | 26.9 | 26,9MM | AISI316/1:4404 | ISO | kr 417.00 | |
| | 1.25" | 42,4MM | AISI316/1:4404 | ISO | kr 530.00 | |
| | 33.7 | 33,7MM | AISI316/1:4404 | ISO | kr 530.00 | |
| | 1.5" | 48,3MM | AISI316/1:4404 | ISO | kr 533.00 | |
| | 42.4 | 42,4MM | AISI316/1:4404 | ISO | kr 548.00 | |
| | 45 | | AISI316/1:4404 | | kr 548.00 | |
| | 48 | | AISI316/1:4404 | | kr 560.00 | |
| | 2" | 50,8MM | AISI316/1:4404 | SMS | kr 577.00 | |
| | 57 | 57MM | AISI316/1:4404 | ISO | kr 581.00 | |
| | 60.3 | 60,3MM | AISI316/1:4404 | ISO | kr 598.00 | |
| | 2.5" | 76,1MM | AISI316/1:4404 | SMS | kr 661.00 | |
| | 3" | 88,9MM | AISI316/1:4404 | ISO | kr 698.00 | |
| | 3.5" | | AISI316/1:4404 | | kr 816.00 | |
| | 4" | 101,6MM | AISI316/1:4404 | SMS | kr 1,165.00 | |
| | 108 | | AISI316/1:4404 | | kr 1,198.00 | |
| | 114.3 | 114,3 | AISI316/1:4404 | ISO | kr 1,307.00 | |
| | 5" | | AISI316/1:4404 | | kr 1,581.00 | |
| | 133 | | AISI316/1:4404 | | kr 1,581.00 | |
| 6" | | AISI316/1:4404 | | kr 2,162.00 | | |
| 159 | | AISI316/1:4404 | | kr 2,162.00 | | |